



GLASS DOOR REACH IN COOLERS

- Stainless Steel Exterior Finish
- 4 Rows Of Shelving
- Built In Door Locks



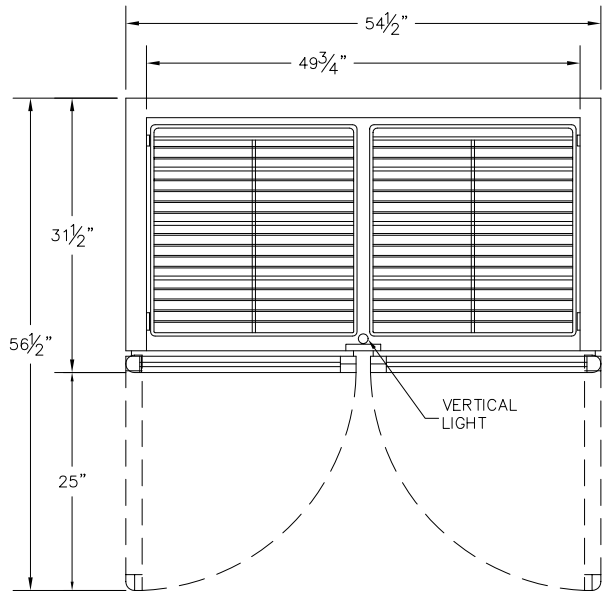
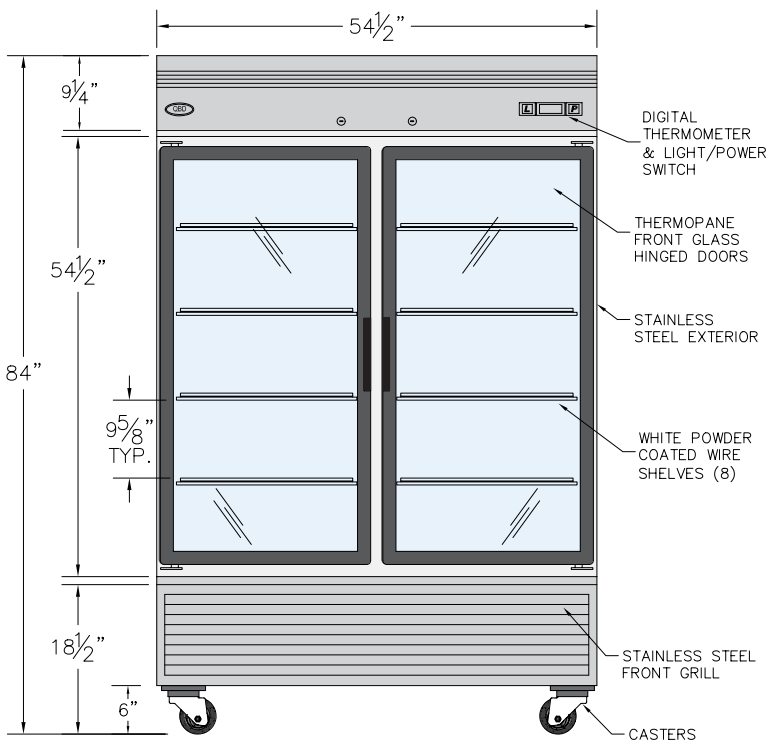
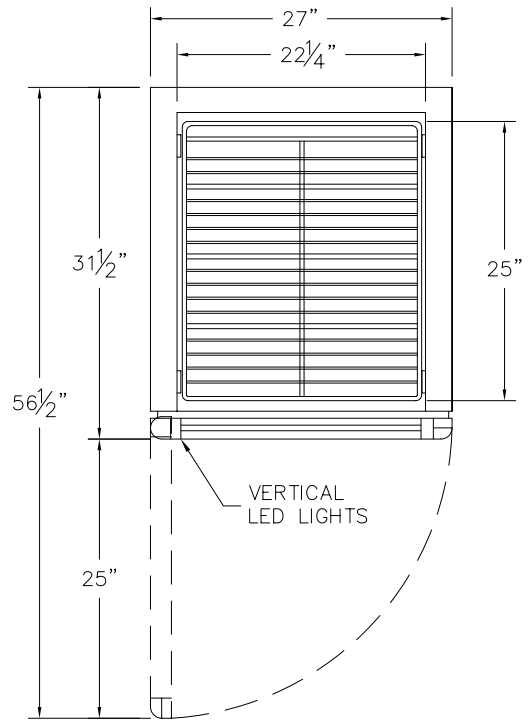
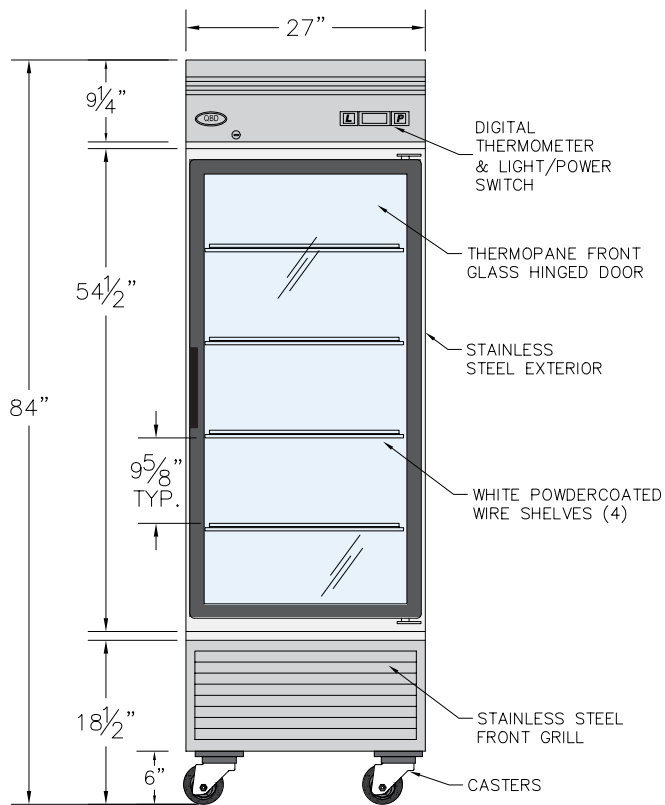
MODEL	SD2784HBG	SD5584HBG
Dimensions (LxDxH)	27 x 31.5 x 84"	54.50 x 31.5 x 84"
Electrical V/A	120/9.6	120/10.3
Power Cord	8ft. NEMA	8ft NEMA
Temperature	33.8 to 46.4°F +1 to +8°C	33.8 to 46.4°F +1 to +8°C



CANADA'S LEADING DISTRIBUTOR OF FOOD STORE & BEVERAGE EQUIPMENT SINCE 1946.

1.888.443.1946

1232 - 36 Avenue NE, Calgary, AB T2E 6M8 | info@wr.ca | www.wr.ca



All specifications subject to change without notice. This design is the property of QBD Modular Systems Inc.

No Copies or reproductions are permitted without the written permission of QBD Modular Systems Inc.

* All units designed to operate under normal store conditions of 24°C with 50% relative humidity & maintain the temp between -20°C to -17°C.

* Condensation on glass may occur in hot/humid conditions. QBD is not responsible for any consequential damages as a result.

* QBD Warranty does not include product loss or consequential damages however caused. Please review detailed warranty statement prior to purchase.

WESTERN REFRIGERATION & BEVERAGE EQUIPMENT LTD.

1-888-443-1946 | 1232 - 36 Avenue NE, Calgary, AB T2E 6M8 | info@wr.ca | www.wr.ca