



## PIZZA PREP TABLES

### Features:

- Stainless steel top, front, and sides
- Aluminum interior lining prevents corrosion
- Self closing doors hermetic seal
- Heavy-duty, chrome-plated hinges, Recessed handles
- Reinforced, adjustable, heavy-duty epoxy coated shelves
- Bumpers on back for protection
- Heavy-duty casters for easy transportation & added mobility
- 1/3 size polypropylene pans
- 12" wide NSF approved polyethylene cutting board
- UL classified to ANSI/NSF 7
- Forced-air refrigeration system for "Rapid pull down" & balanced temperature through out the cabinet
- CFC free R-134a refrigerant to protect the ozone layer
- Foamed-in-place high density polyurethane insulation. Provides solid structure & low energy consumption
- 6" Casters



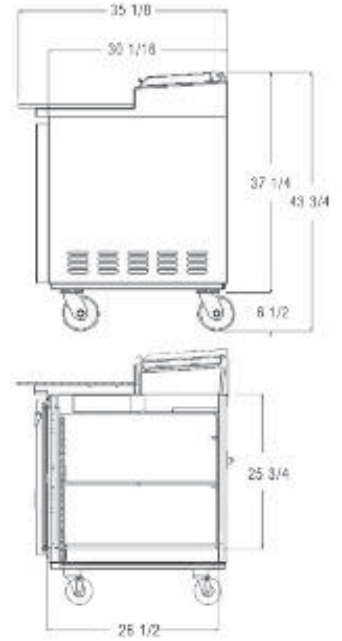
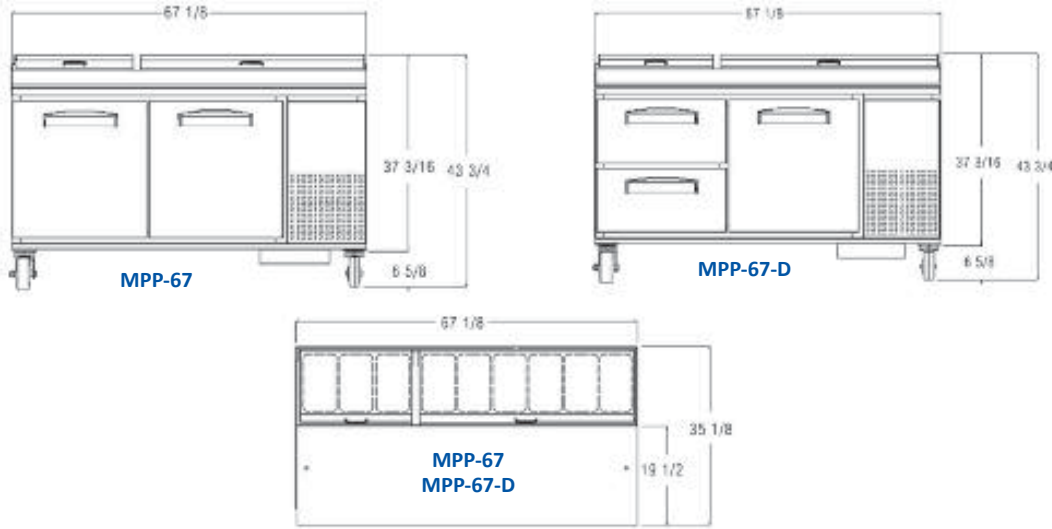
CANADA'S LEADING DISTRIBUTOR OF FOOD STORE & BEVERAGE EQUIPMENT SINCE 1946.

# 1.888.443.1946

1232 - 36 Avenue NE, Calgary, AB T2E 6M8 | [info@wr.ca](mailto:info@wr.ca) | [www.wr.ca](http://www.wr.ca)

# TECHNICAL DATA — SIDE VIEW - PLAN VIEW

MPP-67  
MPP-67-D



## TECHNICAL SPECIFICATIONS

| MODEL                      | MPP-67         | MPP-67-D        |
|----------------------------|----------------|-----------------|
| <b>OUTSIDE DIMENSIONS</b>  |                |                 |
| Depth                      | 35.13"         | 35.13"          |
| Length                     | 67.13"         | 67.13"          |
| Height                     | 43.75"         | 43.75"          |
| Door Size (LxD)            | 25.38 x 25.81" | 25.38 x 25.81"  |
| Door Type                  | 1 Door         | 1 Door/2 Drawer |
| <b>INSIDE DIMENSIONS</b>   |                |                 |
| Depth                      | 27"            | 27"             |
| Length                     | 63"            | 50"             |
| Height                     | 21.75"         | 21.75"          |
| Shelf Size (LxD)           | 23.38 x 26.63" | 23.38 x 26.63"  |
| # of Shelves               | 4              | 2               |
| # of 1/3 Pans              | 9              | 9               |
| Capacity (Cubic Foot)      | 18.2           | 18.2            |
| <b>SPECIFICATIONS</b>      |                |                 |
| Operating Temperature      | 33°F -41°F     | 33°F -41°F      |
| Refrigerant                | R-134a         | R-134a          |
| Compressor Size HP         | 1/3            | 1/3             |
| Voltage                    | 115            | 115             |
| Amperage                   | 8              | 8               |
| Cord and Plug              | YES            | YES             |
| <b>SHIPPING DIMENSIONS</b> |                |                 |
| Depth                      | 39"            | 39"             |
| Length                     | 71"            | 71"             |
| Height                     | 50"            | 50"             |
| Gross Weight lbs.          | 415            | 440             |
| Cubic feet                 | 80             | 80              |

• Cases are designed to operate at 75° F and 55% relative humidity • Specification subject to change without notice

