

# Howard McCray

## Open Merchandisers Island

### Multipurpose 60" Refrigerator



### Features

- 2 Levels of Stainless Steel Shelving
- Shelves are adjustable in 1" increments
- LED lighting around the top
- Electronically Controlled Refrigerationsystem
- Removable Deck Pans for Easy Access
- 404A Refrigerant
- Black Interior & Exterior
- Black Laminated Top & Front
- Heavy Duty 1-3/4 HP Condensing Unit
- All Steel Construction
- Foamed in place with CFC Free Foam
- Electric Condensate Pan
- Heavy Duty Plexiglas Front Rail
- Built in Product Stops at Deck Area
- Four Removable Bottom Panels for EasyServicing
- Even Flo Air Discharge for Balanced Temperatures

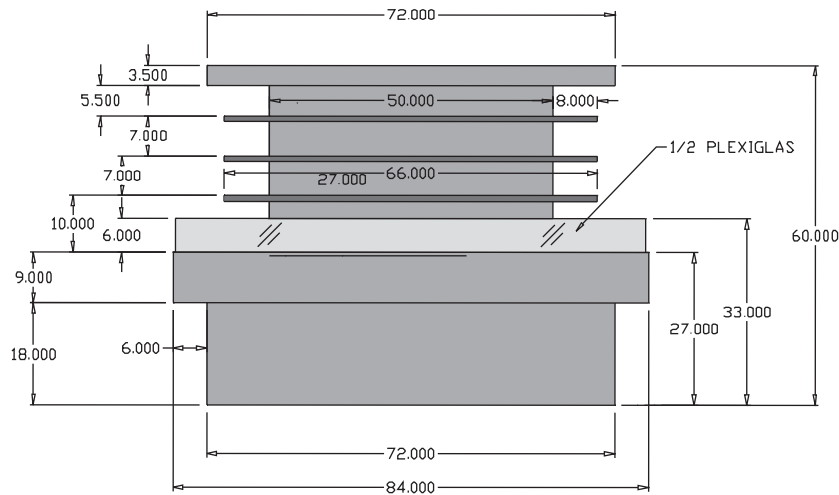
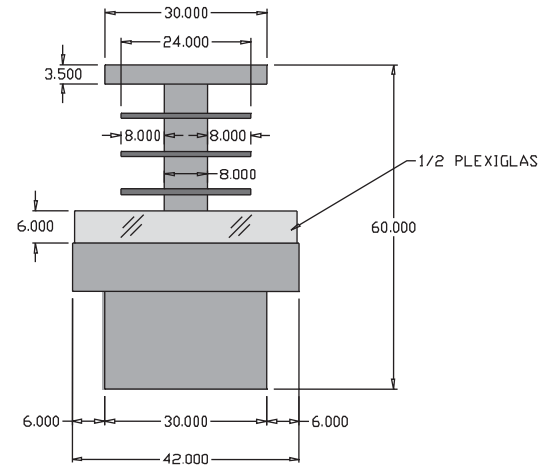
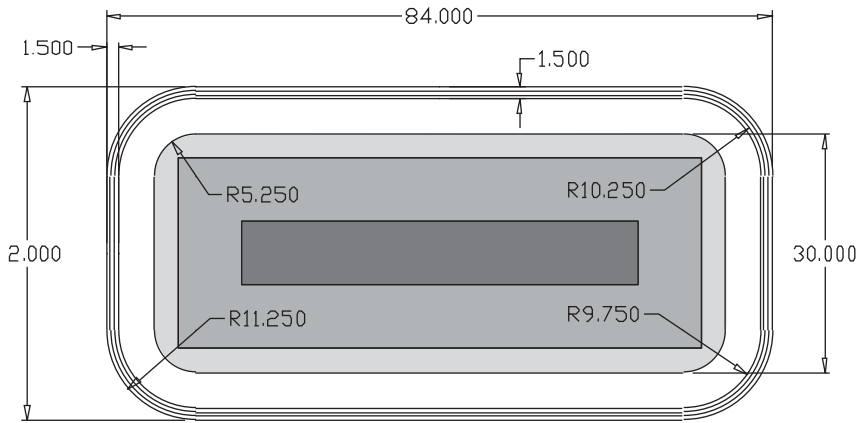


CANADA'S LEADING DISTRIBUTOR OF FOOD STORE & BEVERAGE EQUIPMENT SINCE 1946.

# 1.888.443.1946

1232 - 36 Avenue NE, Calgary, AB T2E 6M8 | [info@wr.ca](mailto:info@wr.ca) | [www.wr.ca](http://www.wr.ca)

# TECHNICAL DATA • SIDE VIEW • PLAN VIEW



## TECHNICAL SPECIFICATIONS

Length	84"
Width	42"
Height ( to display area)	33"
Height ( to top of tower)	60"
HP	1 3/4
Refrigerant	404a
Volts	115/208/230
Remote Volts	115
Amps	24
Amps Remote	3.5
BTUs	13,200
Plug	NEMA L14-20P
Remote Plug	5-15P
Condensate Pan Amps	TBD

## OPTIONAL FEATURES

- Extra Row of Shelves – allows for 3 total rows
- Choice of Color on Interior – White or Stainless Steel
- Choice of Exterior Color
- Choice of Laminate Color on Top & Front
- LED Lit Shelves
- LED Lit under Carriage Area
- Night Cover
- Price Tag Molding
- Remote Refrigeration
- Top Access Raceway (Electrical & refrigeration connections)
- Leveling Legs



**WESTERN REFRIGERATION & BEVERAGE EQUIPMENT LTD.**

1-888-443-1946 | 1232 - 36 Avenue NE, Calgary, AB T2E 6M8 | info@wr.ca | www.wr.ca